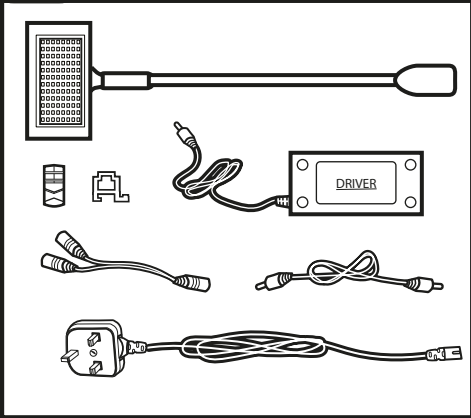


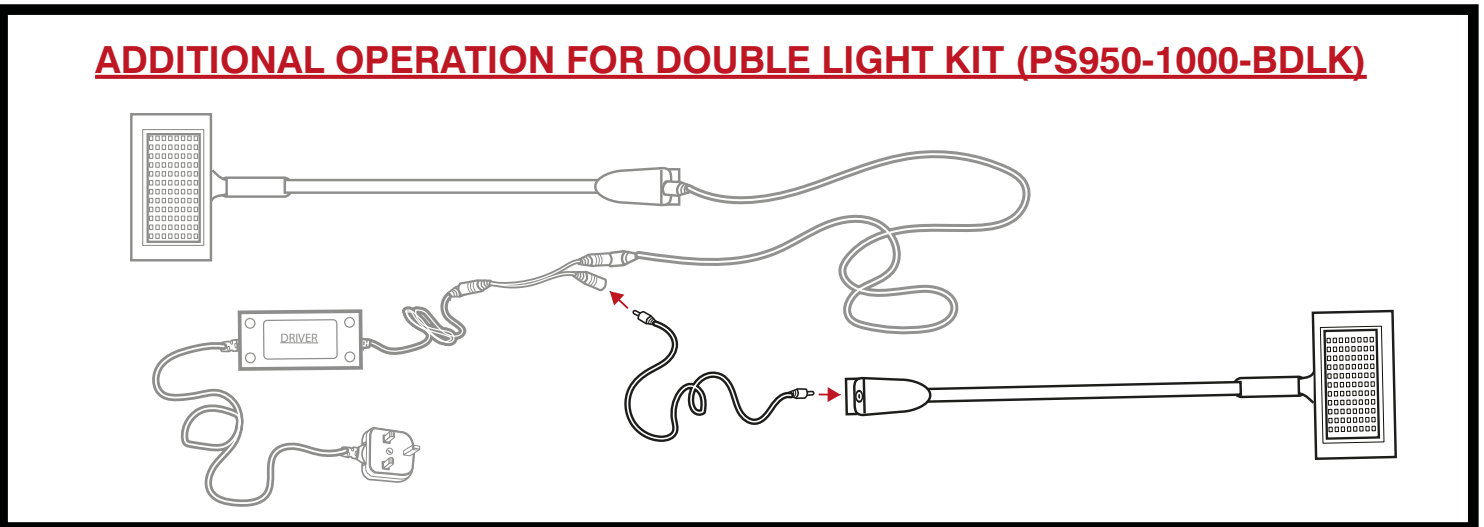
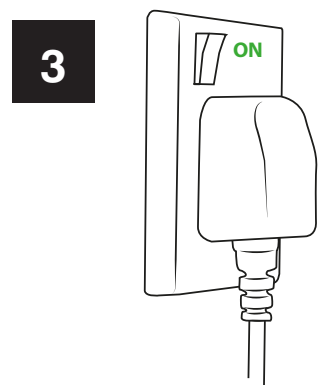
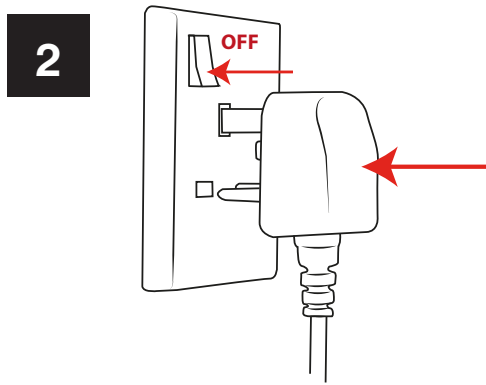
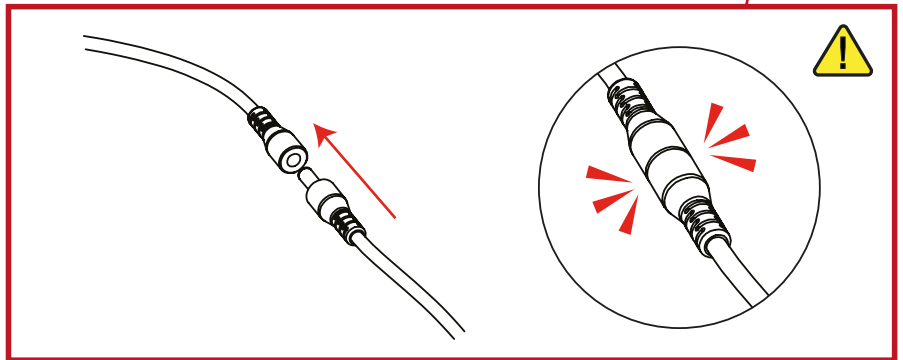
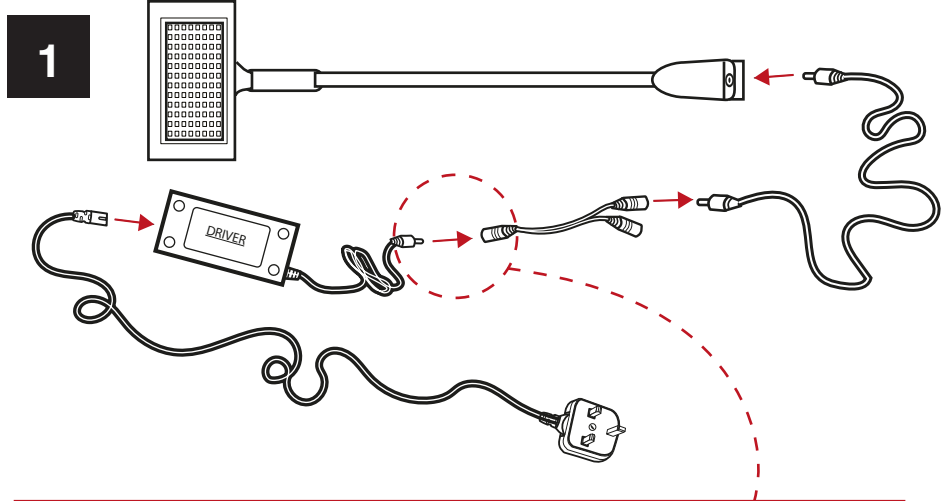



PARTS (NOT TO SCALE)

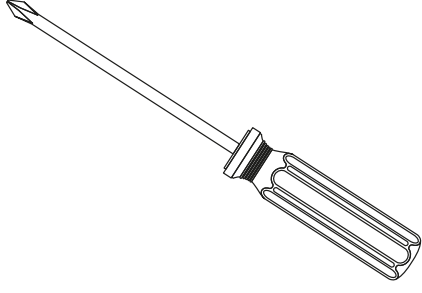


FOR ATTENTION

- Ensure all fittings are correct and secure before connecting to power. Failure to do so could damage the LEDs
- Always disconnect at mains before disconnecting wiring
- Do not touch face of LED light as localised heating may occur

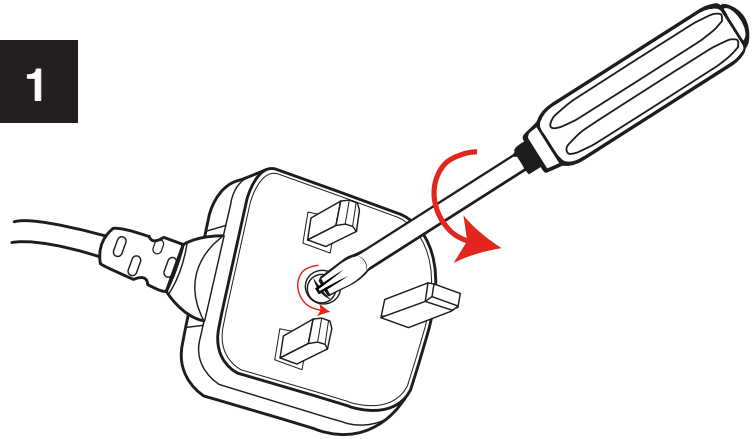


 **TOOLS REQUIRED**

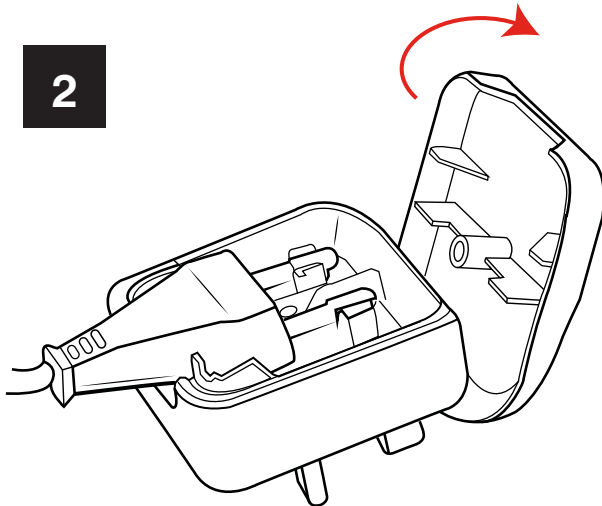


REMOVING OUTER PLUG CASING

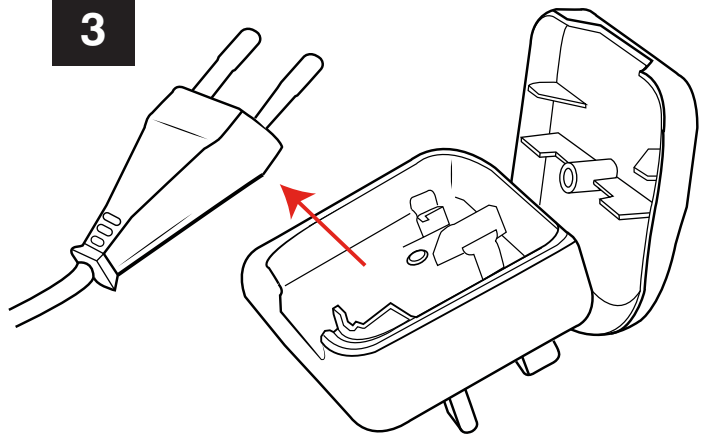
1



2

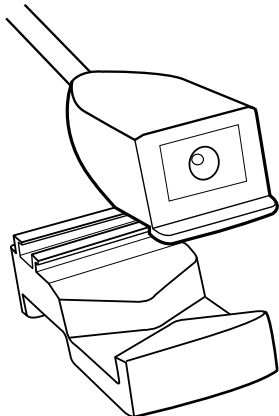


3

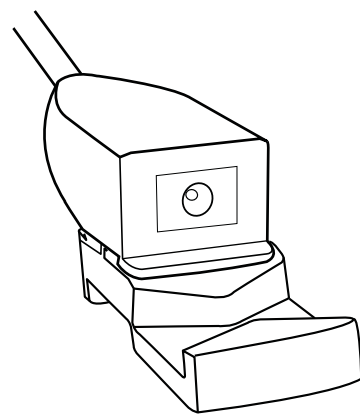


ATTACHING TO HOP-UP/POP-UP FRAMES

1

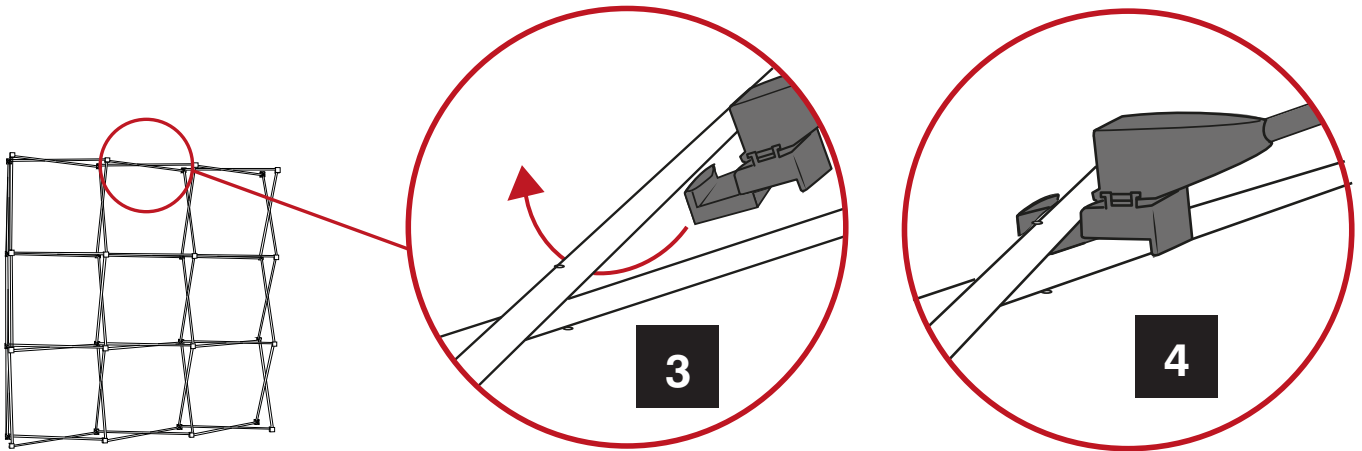


2





ATTACHING TO HOP-UP/POP-UP FRAMES CONTD.



ATTACHING TO VECTOR FRAME

