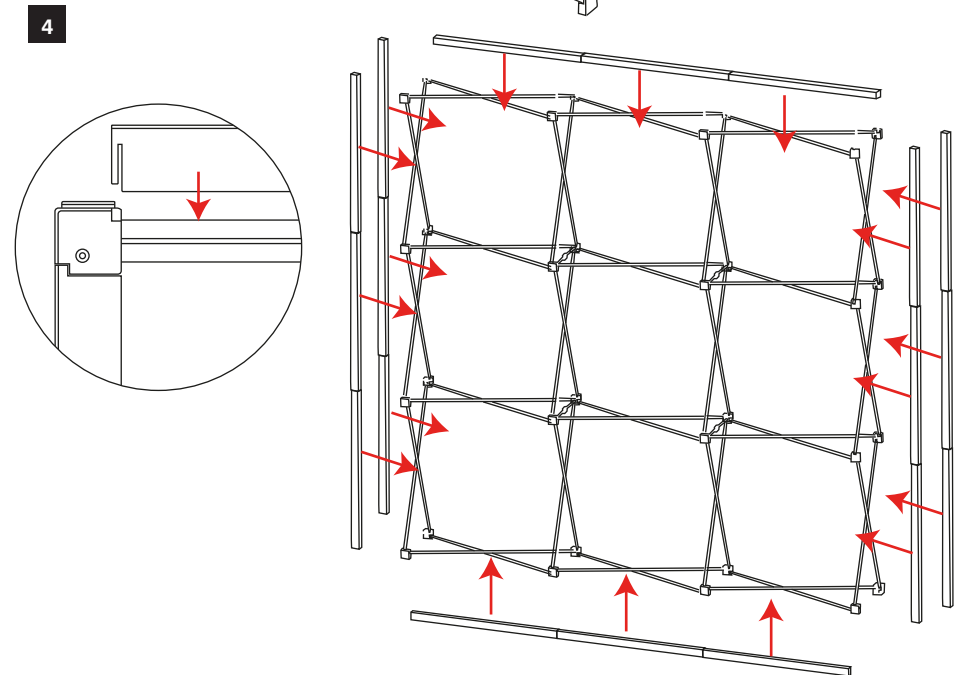
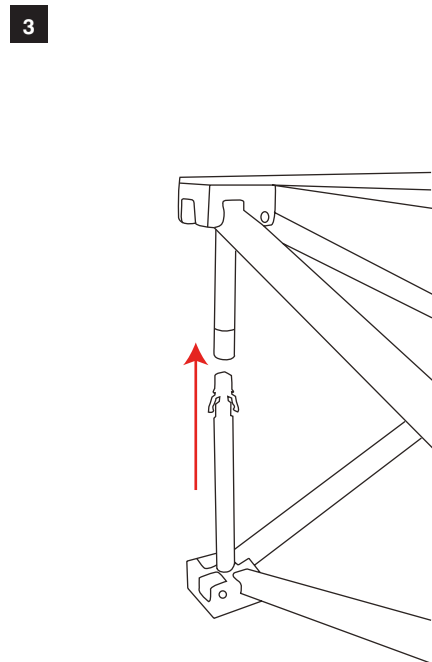
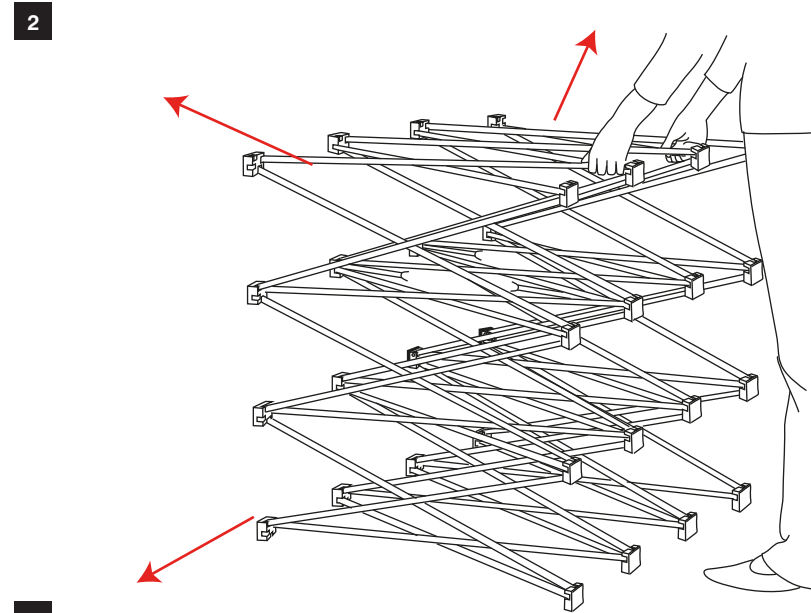
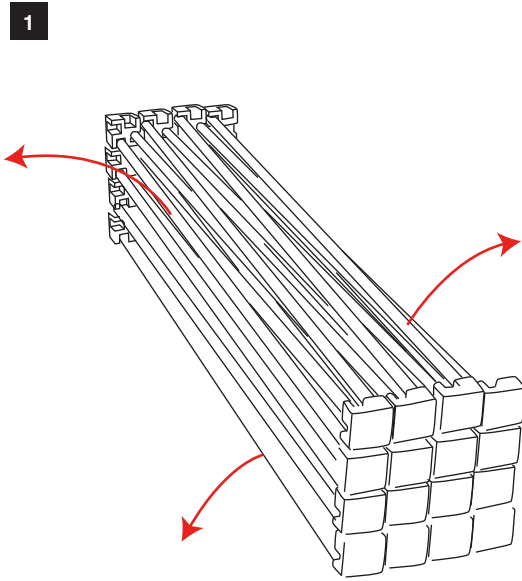
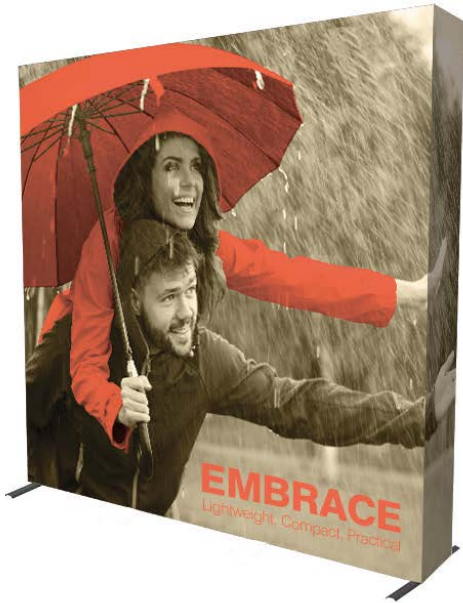


Hop-Ups & Pop-Ups

Embrace

Created 15/04/16

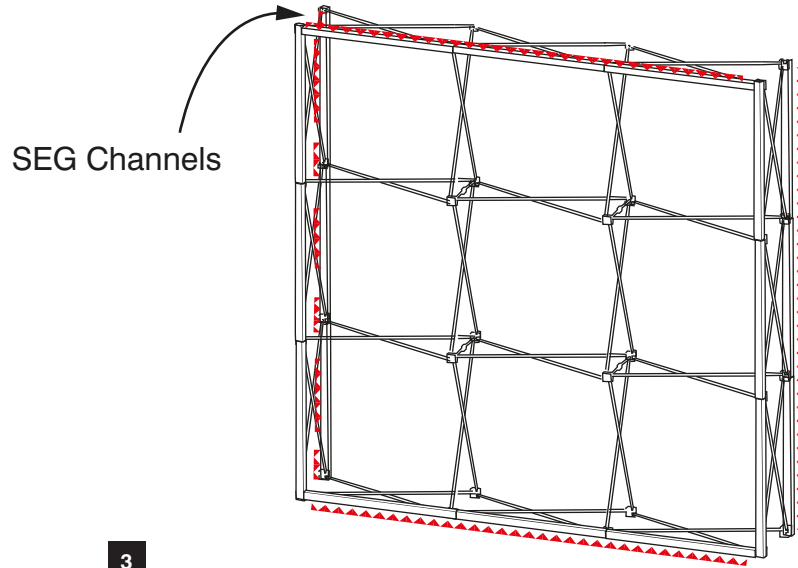


Important note: These instructions are based on assembling the 3x3m version. Other size kits will have slightly different configurations but can still be assembled in the same way.

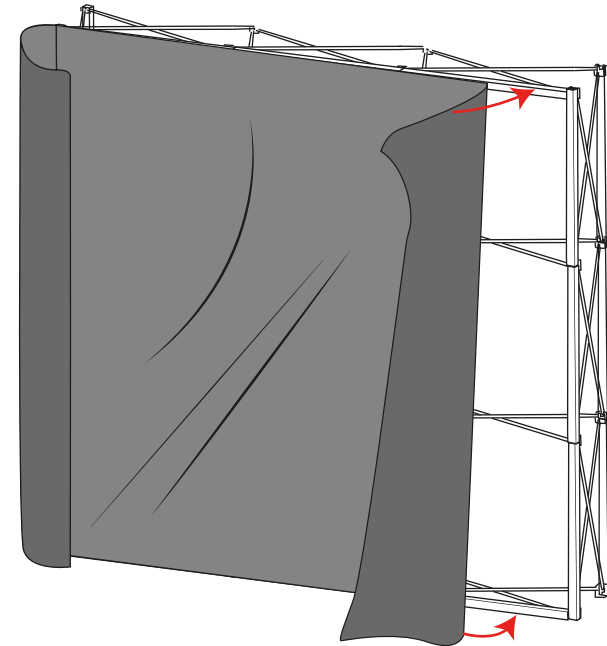
Instructions

Attaching Graphic

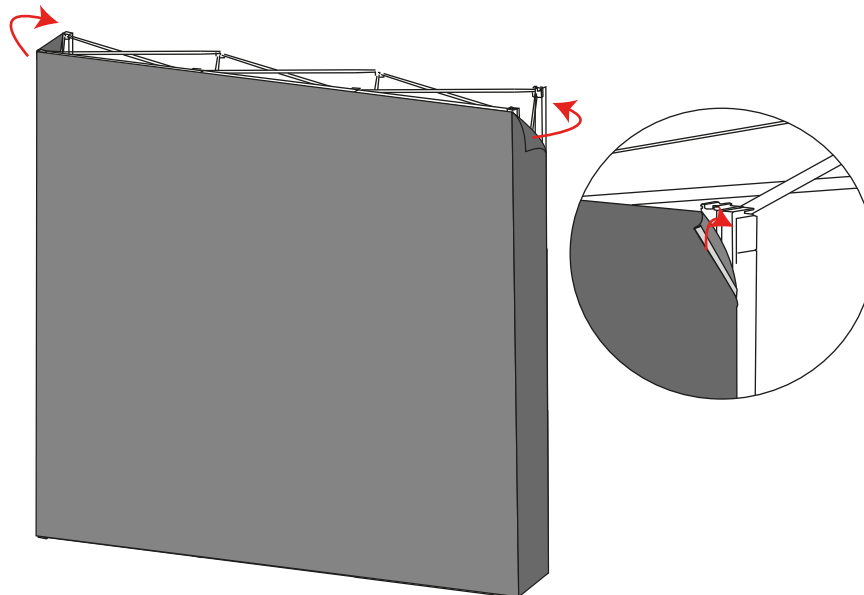
1 Begin assembly with frame flat on floor. Locate white hubs and position this side face up.



2



3



4

