

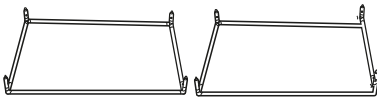
Magnetic Counter Formulate Rectangular Counter

May 2018

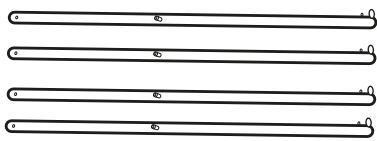


PARTS (NOT TO SCALE)

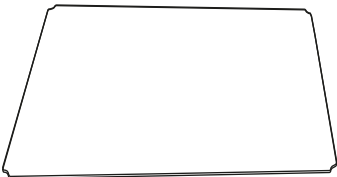
Frames (x2)



Vertical Tubes (x4)

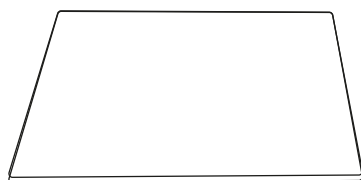


Shelf (x1)*

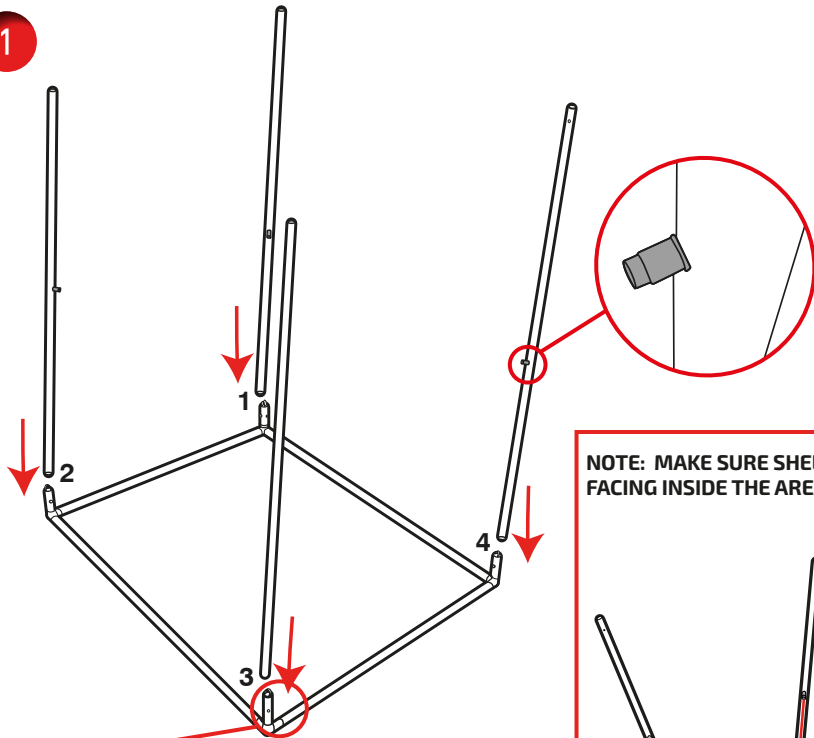


*Optional Extra

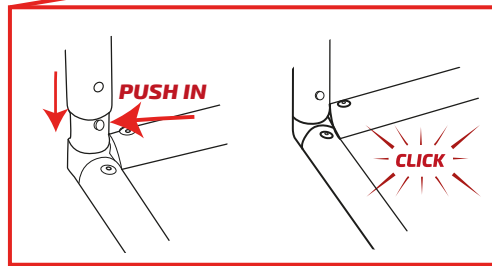
Table Top (x1)



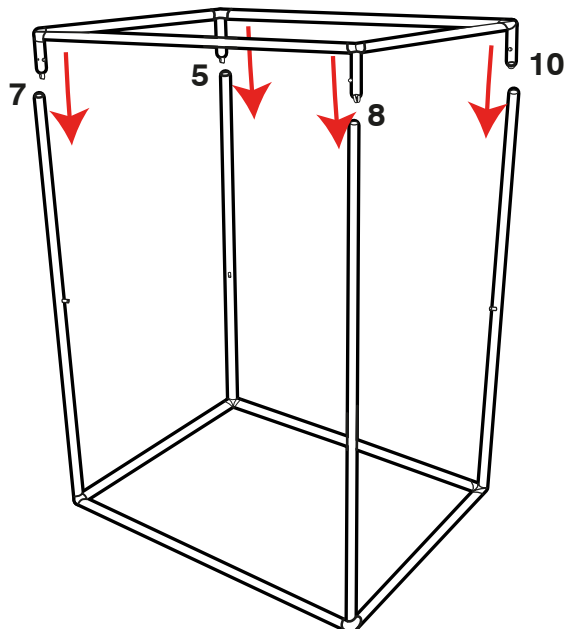
1



NOTE: MAKE SURE SHELF BRACKETS ARE FACING INSIDE THE AREA OF THE BASE

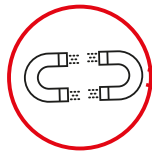
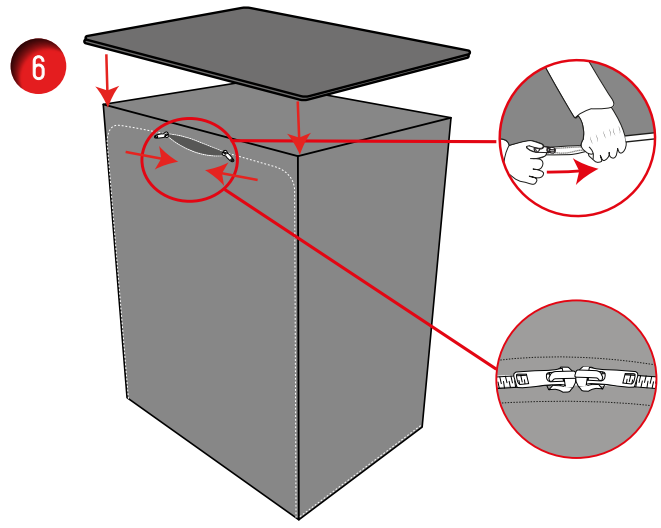
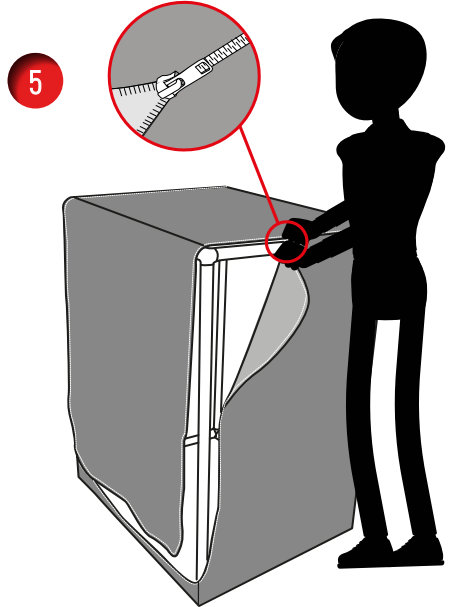
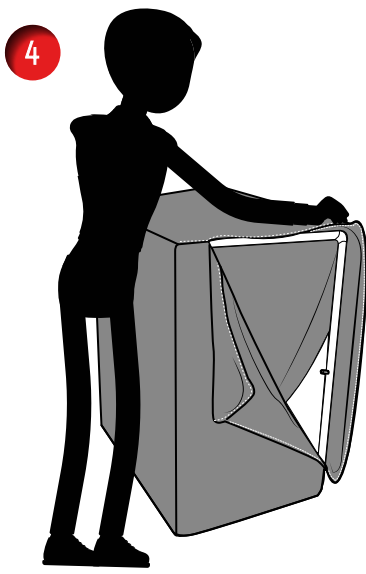
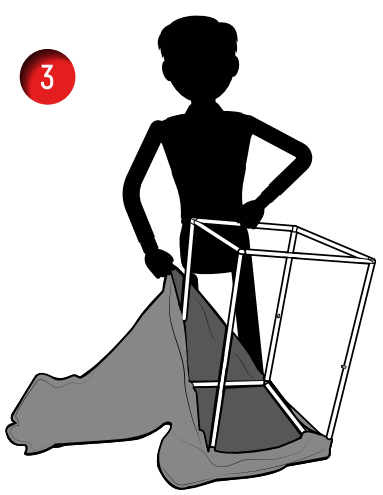


2

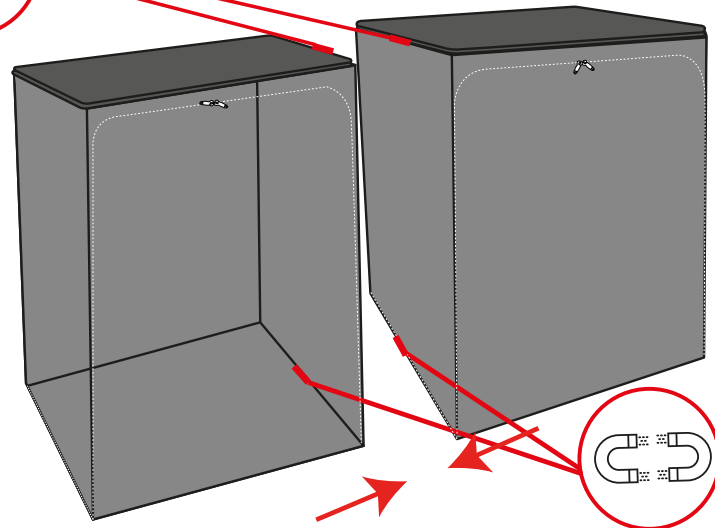


Magnetic Counter Formulate Rectangular Counter

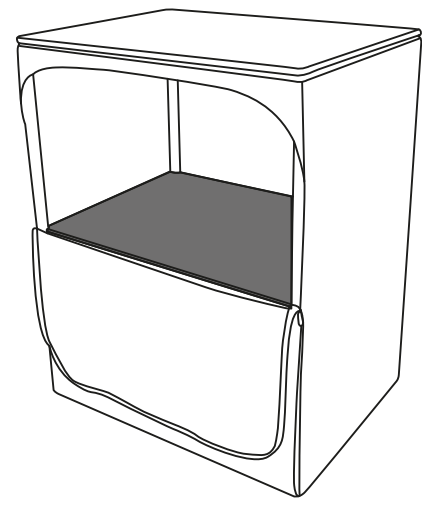
May 2018



NOTE: THIS STEP IS FOR WHEN 2 COUNTERS ARE IN USE



SHELF POSITION



*shelf optional extra